

**EPP**

**El Paso Plumbing, Inc.**

**140 W. 29<sup>th</sup>. St. #347 Pueblo CO 81008**

**(719) 391-1676 FAX 385-0267**

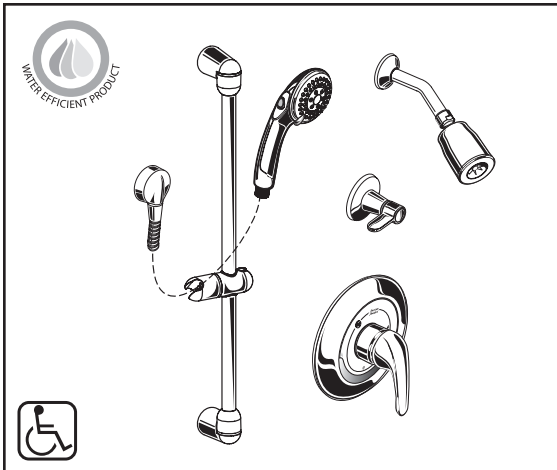
**US AIR FORCE ACADEMY  
GOLF COURSE CLUB HOUSE  
PLUMBING PIPING SYSTEMS**

**22 42 23**

**COMMERCIAL SHOWERS, RECEPTORS AND  
BASINS**



SH-1  
**FloWise® COMMERCIAL SHOWER SYSTEMS**  
**1.5 GPM SHOWER SYSTEM KIT**  
**WITH HAND SHOWER & FloWise® SHOWERHEAD**



**MODEL NUMBER:**

→ **1662.213 Commercial Shower System Kit**

Includes:

• Shower Valve with SS	R120SS
• Colony Soft Shower Only Trim with FloWise® Showerhead	T675.507.002
• 3-F Hand Shower with Pause Feature	1660.766.002
• In-Line Vacuum Breaker	1660.400.002
• Metal Hose	8888.035.002
• Wall Supply	8888.037.002
• 36" Slide Bar	1660.236.002
• 2-Way Diverter Valve	R420
• Heritage Diverter Handle	T342.430

**GENERAL DESCRIPTION:**

Complete commercial shower system includes: an R120SS pressure balance valve and trim, a wall supply with 1/2" NPT female inlet and 1/2" NPSM male outlet, a 59" (1500mm) metal shower hose, vacuum breaker, a 3-function water-saving personal shower with pause feature, 2-way diverter valve, and a 36" Slide Bar.

Valve features a cast brass body, washerless 47mm ceramic disc valve cartridge with volume and temperature control, back-to-back capability, integrated check valves and hot limit safety stop. Pressure balancing cartridge maintains constant output temperature in response to changes in relative hot and cold supply pressure. One-half inch direct sweat inlets and outlets. With screwdriver stops. Rough-in plaster guard designed for use as thin wall mounting adapter. Durable metal handle. 3-function water saving hand shower with pause feature and 1.5gpm/5.7/Lmin. flow restrictor. Slide bar features an adjustable shower holder which can be set at any height or position along the bar and angle up to 45°.

**PRODUCT FEATURES:**

**VALVE:**

**Cast Brass Valve Body:** Durable.

**Ceramic Disc Valve Cartridge:** Assures a lifetime of drip-free performance. Allows control over water temperature and volume.

**Pressure Balancing Valve Cartridge:** Maintains constant output temperature in response to changes in hot and cold supply pressure. Diaphragm system with integrated check valves engineered to eliminate cross flow.

**Back-to-Back Capability:** Hot and cold can be reversed quickly and easily.

**Adjustable Hot Limit Safety Stop:** Limits the amount of hot water allowed to mix with cold. Reduces the risk of accidental scalding.

**Integral Plaster Guard and Mounting Plate:**

Protects valve during installation and serves as a mounting plate for thin-wall installations.

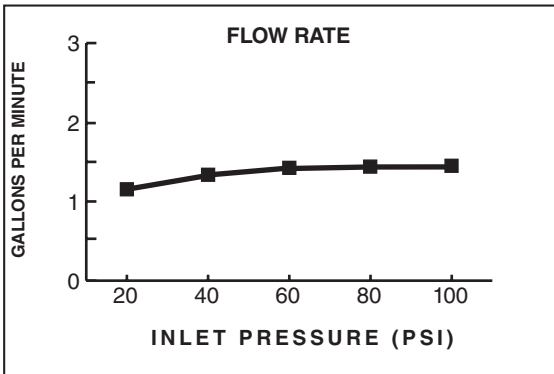
**PERSONAL SHOWER:**

**Water Saving:** Saves 40% of water usage

**ADA-Compliant:** Non-positive shut-off button on handle reduces flow to a trickle.

**SLIDE BAR:**

**Simple Height Adjustment:** Allows positioning of the personal shower anywhere along the bar.



**SUGGESTED SPECIFICATION:**

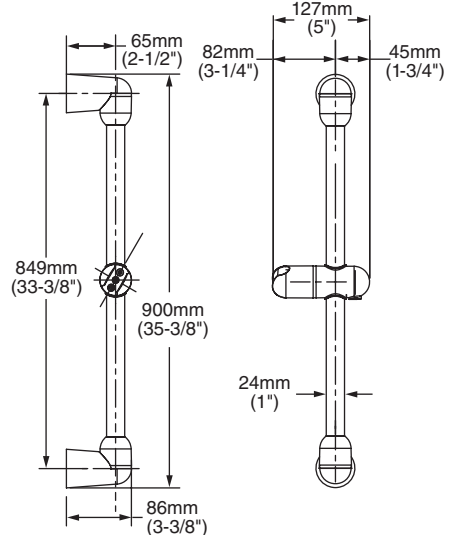
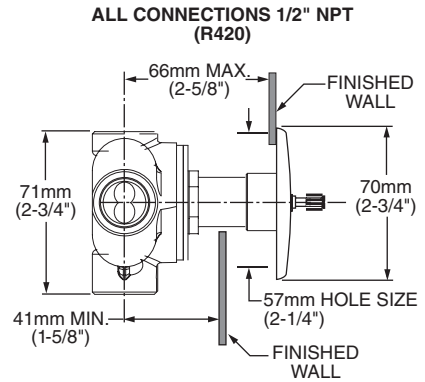
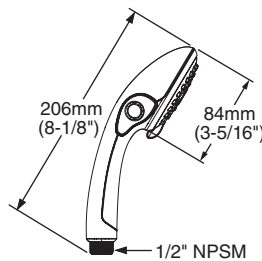
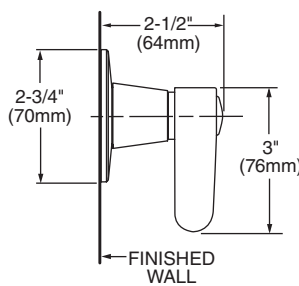
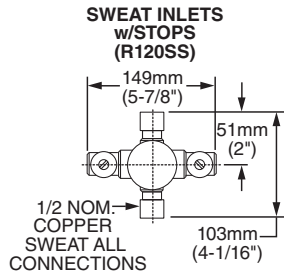
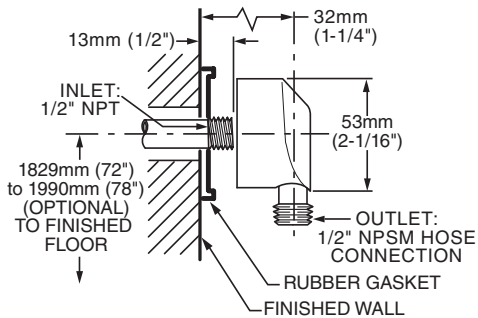
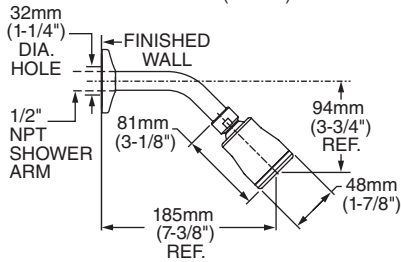
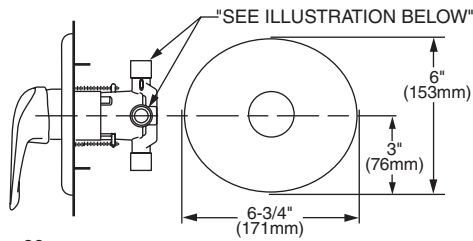
Shower system shall feature a wall supply with 1/2" NPT female inlets and 1/2" NPSM male outlet, 59" metal hose, vacuum breaker, 1.5 gpm/5.7L/min. 3-function water saving personal shower with pause feature, 2-way diverter valve, FloWise® showerhead and a 36" Slide Bar. Pressure Balance valve shall feature a cast brass body. Shall feature ceramic disc valve cartridge which controls water temperature and volume. Shall also feature hot limit safety stop. Fitting shall be American Standard Model # 1662.213.002.

**CODES AND STANDARDS**

Install as required to comply with local code requirements.

- ASME A112.18.1
- ASSE 1016
- CSA B 125
- ANSI A117.1

Product Number	Description	Finish
		Polished Chrome
1662.213	FloWise® Commercial Shower System Kit. Contains pressure balance valve with volume and temperature control, trim kit, 3-function water saving hand shower with pause feature, metal hose, vacuum breaker, 2-way diverter valve, FloWise® showerhead, wall supply and 36" slide bar. 1.5gpm/5.7L/min.	002





Submitted shower seat is not the same size as the seat referenced in the plans. Revise and Resubmit and verify that what is submitted is an equal. Provide documentation showing that submitted product is an equal in quality.

Shown in White-BF23

### **Barrier-Free Folding Shower Seat**

**Model #: BF-2300** ←

23 1/3" x 22 1/2"  
(597mm x 572mm)

- Two seat styles will fit back wall or either side wall.
- The BF-2300L is for left side wall installation.
- The BF-2300R is for right side wall installation.
- Complies with Federal weight bearing and ADA code requirements of 250 lbs when properly installed.



## Accessories Chart



Submitted shower seat is not the same size as the seat referenced in the plans. Revise and Resubmit and verify that what is submitted is an equal.

### BARRIER FREE & TRANSFER SHOWER FLOOR ACCESSORIES

Model	Part	Dimensions	Ship Wt. Lb.	Ship UPS	Carton Dims. In.	Cu. Ft.
-------	------	------------	--------------	----------	------------------	---------

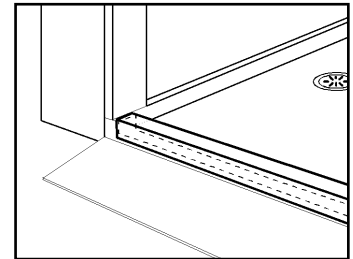
#### Thresholds

##### BF-6000 Aluminum Removable Threshold

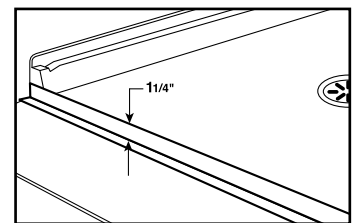
BF-6000	BF6000		5	UPS	61 x 2 x 2	.14
---------	--------	--	---	-----	------------	-----

##### BF-FT Barrier Free Flexible Threshold

BF-FT	BF60000FT	Vinyl Strip 1-1/4" x 1" / Aluminum Ext. 3/4"	5	UPS	60 x 2 x 2	.14
-------	-----------	--	---	-----	------------	-----



**BF-6000**  
Aluminum Removable Threshold



**BF-FT**  
Barrier Free Flexible Threshold

#### Folding Shower Seats

##### BF-2300R Folding Shower Seat, Right Side Wall Installation (White Only)

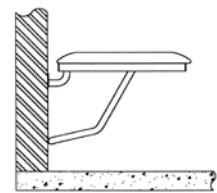
BF-2300R	BF00023RH	23-1/2" W x 21" D (597 mm x 572 mm)	21	UPS	30 x 26 x 6	2.71
----------	-----------	--	----	-----	-------------	------

Mounting materials not included

##### BF-2300L Folding Shower Seat, Left Side Wall Installation (White Only)

BF-2300L	BF00023LH	23-1/2" W x 21" D (597 mm x 572 mm)	21	UPS	30 x 26 x 6	2.71
----------	-----------	--	----	-----	-------------	------

Mounting materials not included



**BF-2300L**  
23-1/2" W x 21"D

#### Grab Bars

##### BF-2448 L-Shaped Stainless Steel Grab Bar

For Use When Shower Seat Is Installed On Either Side

BF-2448	BF02448	24" D x 48" L (610 mm x 1219 mm)	9	UPS	51 x 26 x 4	3.07
---------	---------	-------------------------------------	---	-----	-------------	------

##### BF-5024 Straight Stainless Steel Grab Bar

For Use When Shower Seat Is Installed On Back Wall

BF-5024	BF05024	24" L (610 mm)	3	UPS	31 x 4 x 4	.29
---------	---------	----------------	---	-----	------------	-----

##### BF-5048 Straight Stainless Steel Grab Bar

For Use When Shower Seat Is Installed On Back Wall

BF-5048	BF05048	48" L (1219 mm)	5	UPS	51 x 4 x 4	.47
---------	---------	-----------------	---	-----	------------	-----

##### BF-5072 Grab Bar Kit

For Use When Shower Seat Is Installed On Back Wall

BF-5072	BF05072		8		51 x 8 x 4	
---------	---------	--	---	--	------------	--

Kit includes Stainless Steel Grab Bars, BF-5024 and BF-5048

##### GB-0014 Straight Stainless Steel Grab Bar

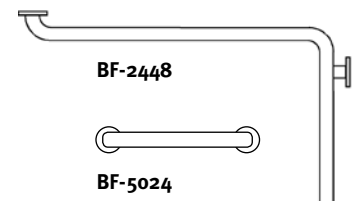
For Use With Transfer Shower Floor

GB-0014	GB00014	14" L (356 mm)	5	UPS	5 x 5 x 51	
---------	---------	----------------	---	-----	------------	--

##### GB-1432 "L-Shaped" Stainless Steel Grab Bar

For Use When Shower Seat Is Installed On Either Side Wall

GB-1432	GB01432	14" x 32" (356 mm x 813 mm)	9	UPS	51 x 26 x 4	3.07
---------	---------	-----------------------------	---	-----	-------------	------



**BF-2448**

**BF-5024**

Submitted grab bar is not the same size as the seat referenced in the plans. Revise and Resubmit and verify that what is submitted is an equal. Provide information showing that submitted product is an equal in quality.

**MADE IN USA.**